

TREK



2020 & 2021 FUEL EX

SERVICE MANUAL SUPPLEMENT



2020 & 2021 Fuel EX Table of Contents

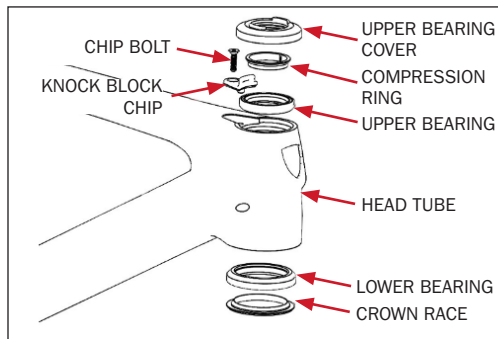
1. Knock Block headset	1
2. Bottom bracket	1
3. Down tube storage (carbon frames only)	2
4. Rear derailleur hanger	2
5. Frame guards	3
6. Cable routing	4
7. Suspension hardware replacement parts	6
8. Dropout hardware	8
9. Specifications	8

**NOTE**

This manual has the unique design features and components for the 2020 & 2021 Fuel EX bicycle.

1 Knock Block headset

Description	Part number
Knock Block 58-degree complete headset	5252156
Knock Block 58-degree upper assembly	5252157

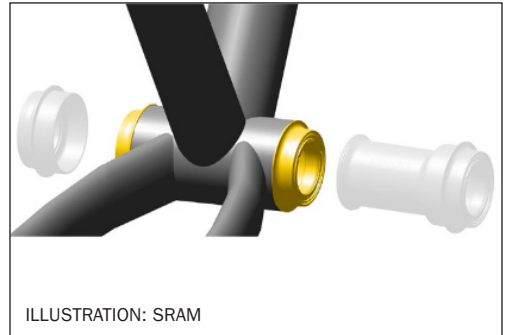


1. Apply grease to the upper and lower head tube bearing-bores.
2. Apply grease to the inside bearing seats for the compression ring and the crown race.
3. Install the crown race, then the lower bearing on the steerer tube.
4. Insert the steerer tube into the bottom of the head tube.
5. Install the upper bearing and the compression ring onto the steerer tube.
6. Insert the Knock Block chip into the frame. Do not tighten.
7. Install the upper bearing cover.
8. Install spacers as necessary.
9. Insert the Knock Block chip bolt and tighten to 2 Nm.

2 Bottom bracket

The 2020 and 2021 Fuel EX models use the BB92 press-fit standard bottom bracket.

Use your bottom bracket manufacturer's manual for removal and installation instructions.



3 Down tube storage (carbon frames only)

Item number	Description	Part number
1	Storage door, window frame and hardware	W583862



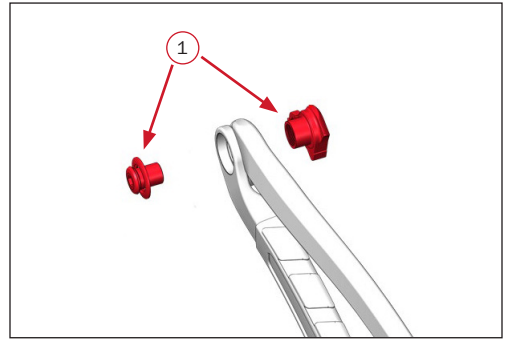
Item number 1 includes all parts in red.

1. Position the window frame so the cable routing tab is on the drive side of the bike.
2. Insert the window frame into the down tube storage cut-out.
3. Torque the bolts to 1.2Nm.

4 Rear derailleur hanger

Item number	Description	Part number
1	Derailleur hanger, bolt and 30 mm washer	W583423

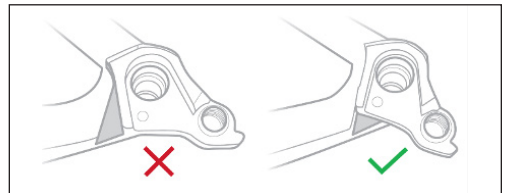
For derailleur with Active Braking Pivot hardware kit, see page 7.



⚠ CAUTION: Do not apply grease between the hanger and the bicycle frame.

⚠ CAUTION: Do not apply grease to the hanger bolt threads.

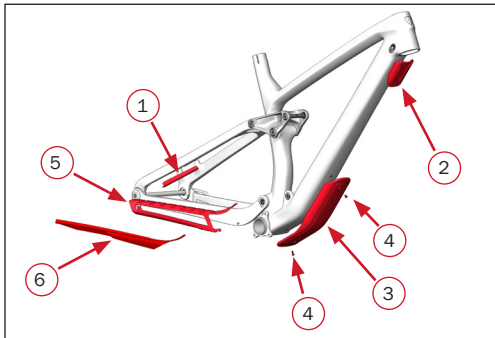
1. Insert the hanger on the inside of the driveside chainstay.
2. Install the washer on the derailleur hanger bolt.
3. Insert the bolt into the frame.
4. Make sure to have the hanger in the correct position as shown.



5. Torque the hanger bolt to 25 Nm (left-hand thread).

5 Frame guards

Item	Description	Part number	Quantity
1	Seatstay, carbon frames only	W583089	1
2	Upper down tube	W529228	1
3	Lower down tube, carbon frames only	W583088	1
	Lower down tube, aluminium frames only	W532098	1
4	Lower down tube guard hardware, carbon frames only	1042535	2
5	Chainstay, 2021 carbon frames only	W1048535	1
	Chainstay, aluminium frames only	5263821	1
6	Chainstay, 2020 carbon frames only	W583087	1



1. Use isopropyl alcohol to clean the frame surfaces that mate with the guards as shown below.

⚠ CAUTION: Do not clean the entire frame with isopropyl alcohol.

2. Remove the protective covering for the adhesive.
3. **Carbon frame only:** Use two button head screws to attach the:
 - Down tube guard
 - Chainstay guard

6 Cable routing

Item	Description	Part number	Quantity
1	Cable entry guide	W519232	2
2	Cable hardware, M4x0.7x16mm	W532763	2
3	Bottom bracket cable exit guide – carbon only	W583807	1
4	Chainstay brake exit guide – carbon frame only	W543605	1
5	Cable hardware, M3x05x12mm – carbon frame only	W318529	1

1. Attach zip ties as shown.

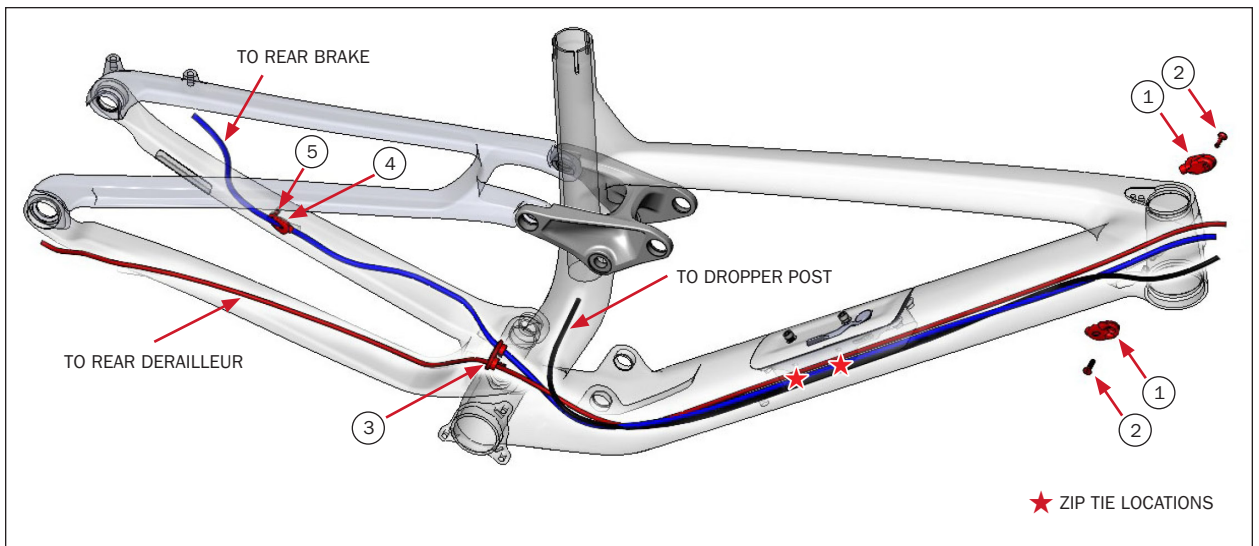
2. In the down tube, zip tie the following cables between the bicycle frame and the storage frame (cable routing tab):

- Rear derailleur housing
- Rear brake hose
- Dropper housing (when applicable)

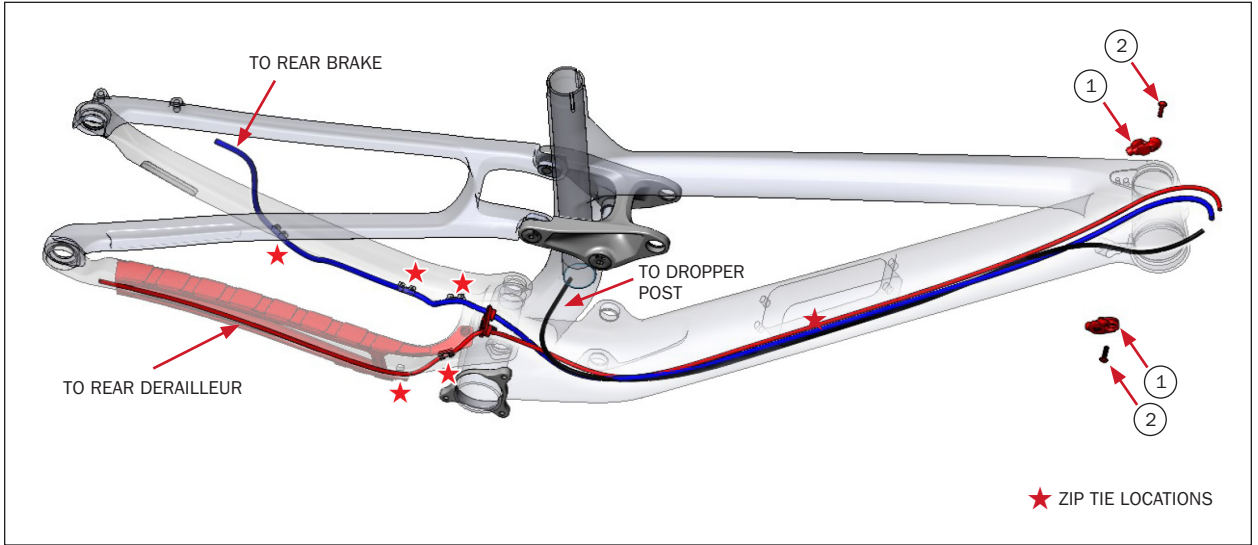
3. Route the cables.

- **Carbon frame:** Route rear derailleur housing through the chainstay guard.
- **Aluminium frame:** Route the rear derailleur housing internal through the chainstay.

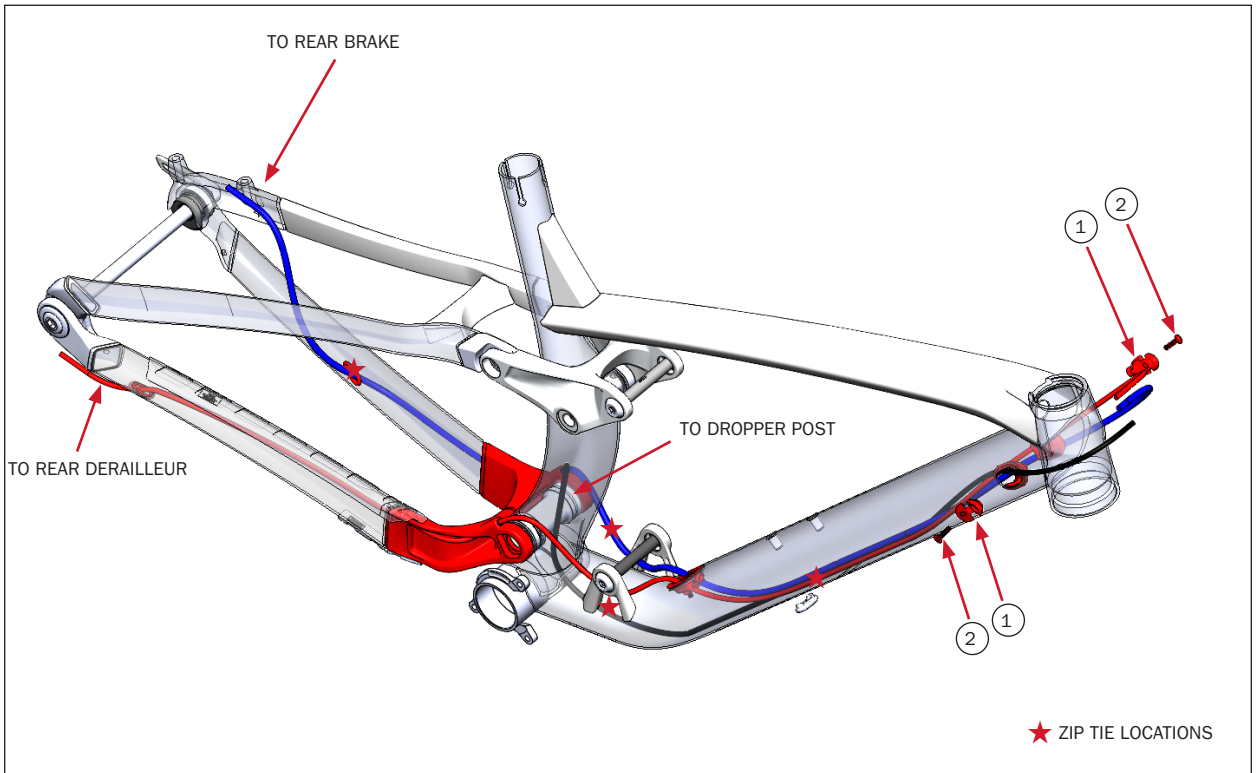
2020 carbon frame cable routing



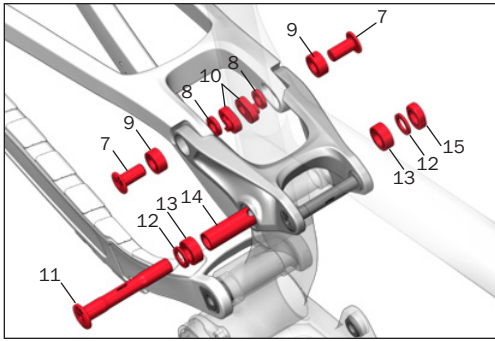
2021 carbon frame cable routing



2020 and 2021 alloy frame cable routing



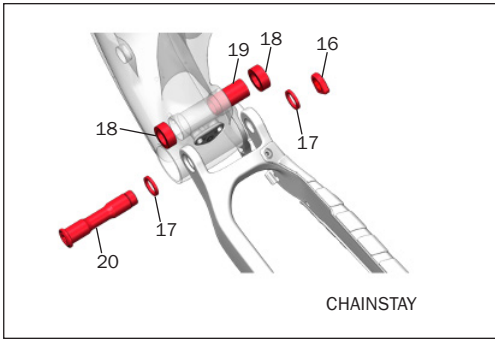
7 Suspension hardware replacement parts



ROCKER LINK

Item number	Description	Part number	Quantity
7	Mino link bolt	W579296	2
8	Mino link spacer	W529969	2
9	Mino link bearing	W529224	2
10	Mino link nut	W529223	2
11	Rocker pivot axle	W535469	1
12	Rocker pivot spacer	W290057	2
13	Rocker pivot bearing*	W586543	2
14	Rocker pivot bearing sleeve	W310155	1
15	Rocker pivot nut	W311582	1
Rocker link hardware kit – two each of pivot spacers and bearings. One axle bearing sleeve and one rocker nut.		599910	1

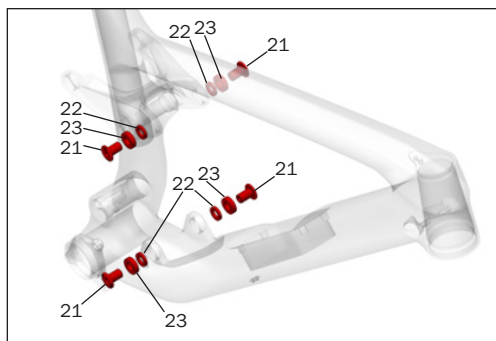
**Install drive-side rocker pivot bearing first, then the bearing sleeve, then the non-drive side bearing.*



MAIN PIVOT POINT

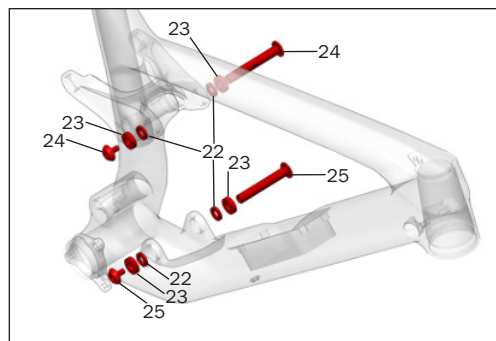
Item number	Description	Part number	Quantity
16	Main pivot nut	W584134	1
17	Main pivot spacer	W440921	2
18	Main pivot bearing*	W302025	2
19	Main pivot sleeve	Kit only	1
20	Main pivot axle	Kit only	1
Main pivot point hardware kit – one pivot nut, two spacers, two bearings, one sleeve and one axle.		599909	1

**Install drive-side rocker pivot bearing first, then the bearing sleeve, then the non-drive side bearing.*



THRU-SHAFT/TRUNNION

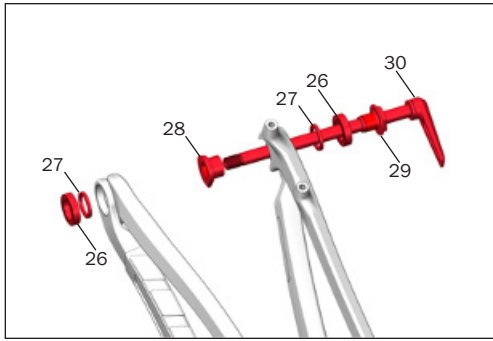
Item number	Description	Part number	Quantity
21	Thru shaft shock bolt	W583804	4
22	Shock pivot spacer	W529969	4
23	Shock pivot bearing	W293466	4



STANDARD EYELET

Item number	Description	Part number	Quantity
22	Shock pivot spacer	W529969	4
23	Shock pivot bearing	W293466	4
24	Upper pin mount shock hardware kit	599898	1
25	Upper pin mount shock hardware kit	599899	1

8 Dropout hardware



ACTIVE BRAKING PIVOT DROPOUT AND SKEWER

Item number	Description	Part number	Quantity
26	Bearing	W583424	2
27	Spacer (carbon frame only)	W583422	2
28	Axle guide	W583419	1
29	Axle nut	W583420	1
30	Rear skewer	W583469	1
Active Braking Pivot universal hardware kit – universal derailleur hanger with bolt and washer, one axle guide, one axle nut, two spacers and two bearings.		599911	1

9 Specifications

Maximum chainline (single)	55 mm
Minimum chainline (single)	52 mm
Max chainring for 55 mm chainline	36T round, 34T oval
Max chainring for 52 mm chainline	34T round, 32T oval
Minimum chainring for 52/55 mm chainline	28T
Fork travel	140 mm
Maximum fork travel	150 mm
Maximum tyre size	29.0 x 2.60
Shock eye-to-eye length	210 mm
Shock stroke length	55 mm
Upper shock mounting width	54 mm
Lower shock mounting width	50 mm with 10 mm offset to non-drive side
Bolt diameter	10 mm

