

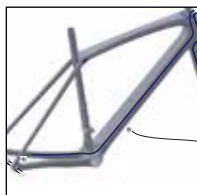
Boone



Contents



[Brake/shift routing – mechanical](#)



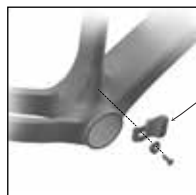
[Brake routing – eTap](#)



[Headset and fork](#)



[IsoSpeed](#)



[Chainkeeper](#)



[Specifications](#)

Legend



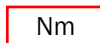
● Apply grease



Do not apply grease



● Apply threadlocker



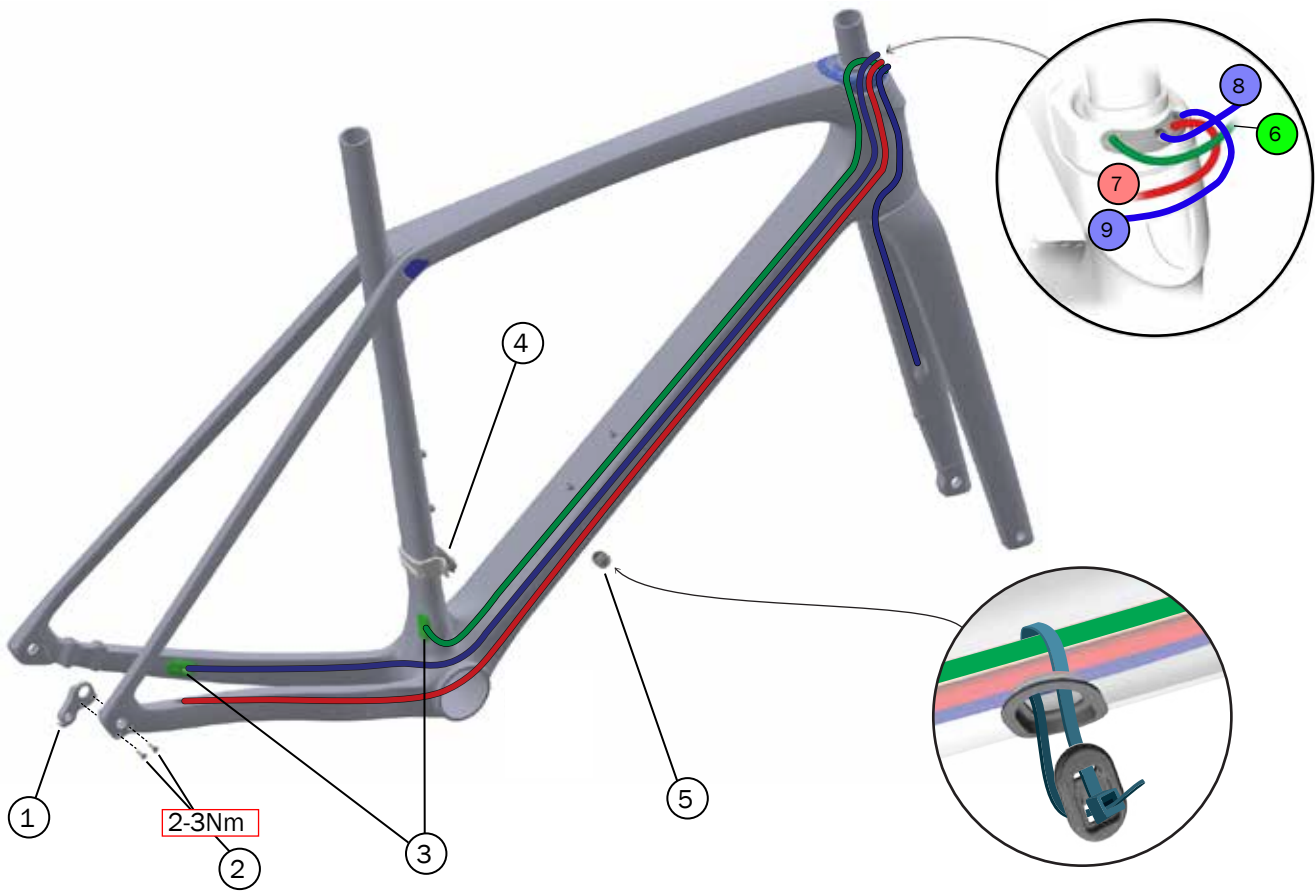
Torque



Zip tie

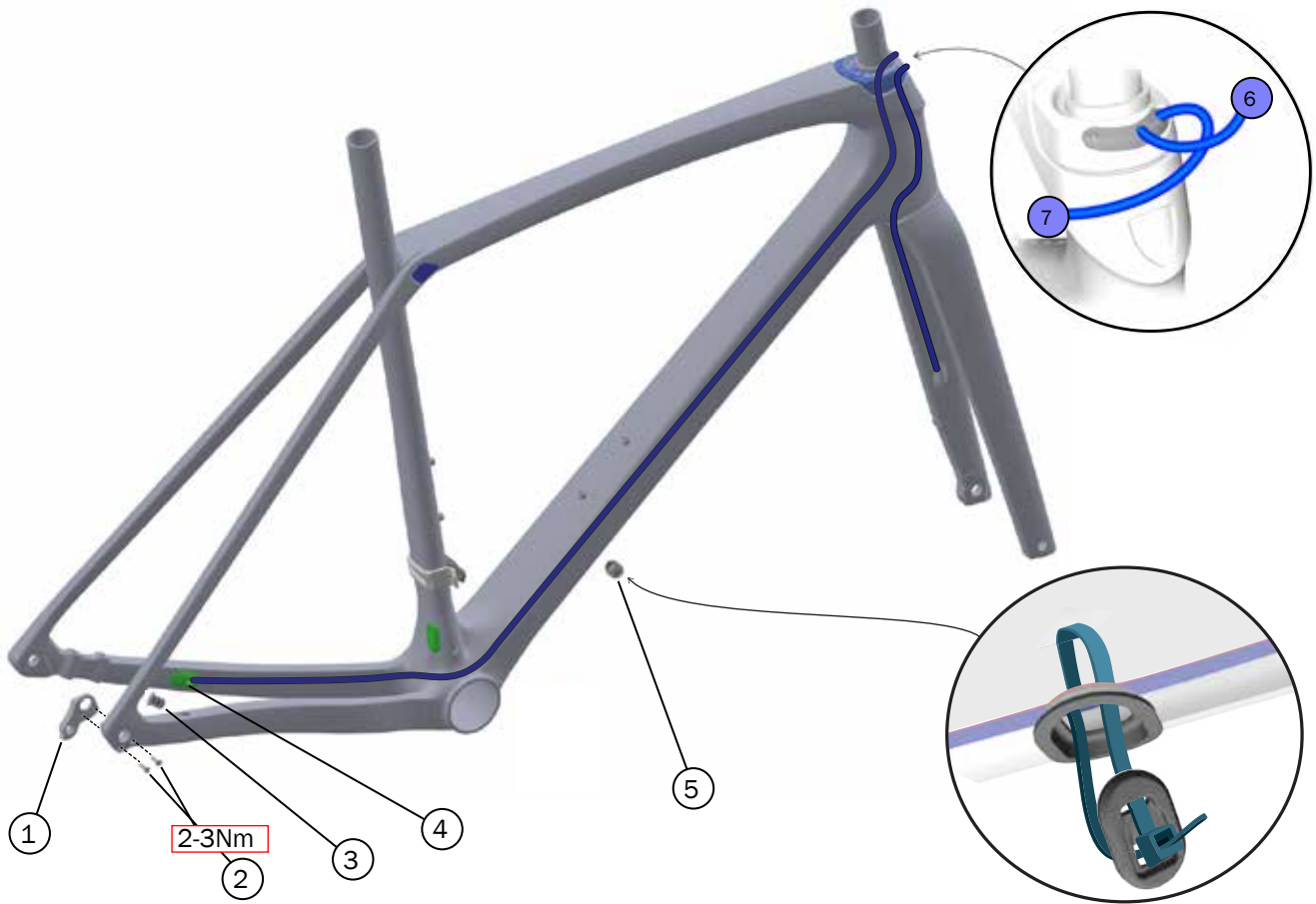


Brake/shift routing — mechanical



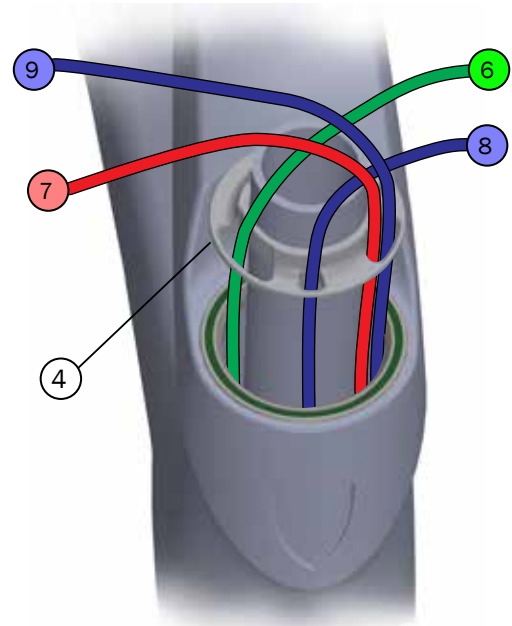
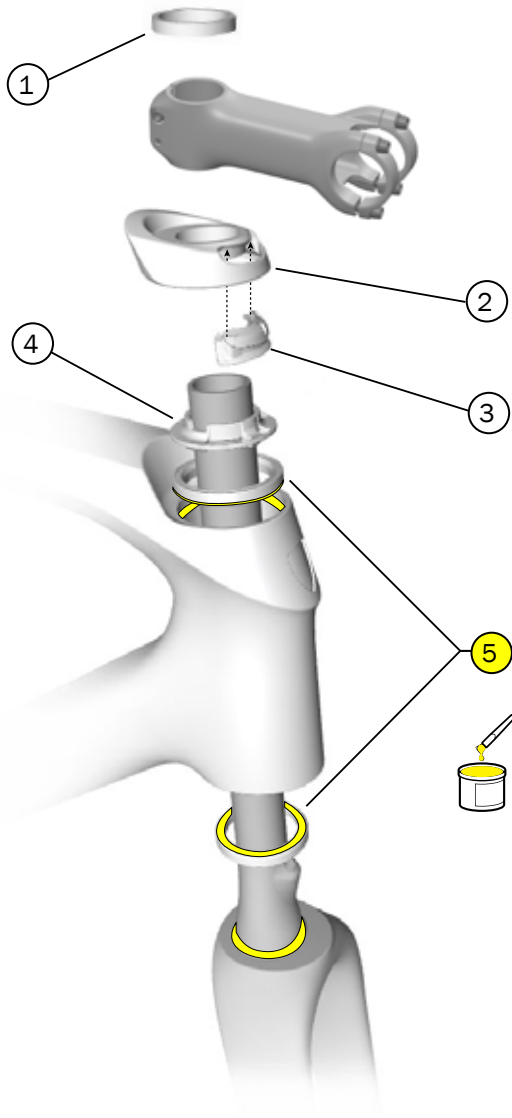
- ① Rear derailleur hanger – W524188
- ② Rear derailleur hanger bolts – W524884
- ③ Housing grommets – W330578
- ④ Front derailleur clamp – W5256886
- ⑤ Zip tie guide – W513997
- ⑥ Front derailleur cable
- ⑦ Rear derailleur cable
- ⑧ Front brake hose
- ⑨ Rear brake hose

Brake routing — eTap



- ① Rear derailleur hanger — W524188
- ② Rear derailleur hanger bolts — W524884
- ③ eTap grommet plug — 600209
- ④ Housing grommet — W330578
- ⑤ Zip tie guide — W513997
- ⑥ Front brake hose
- ⑦ Rear brake hose

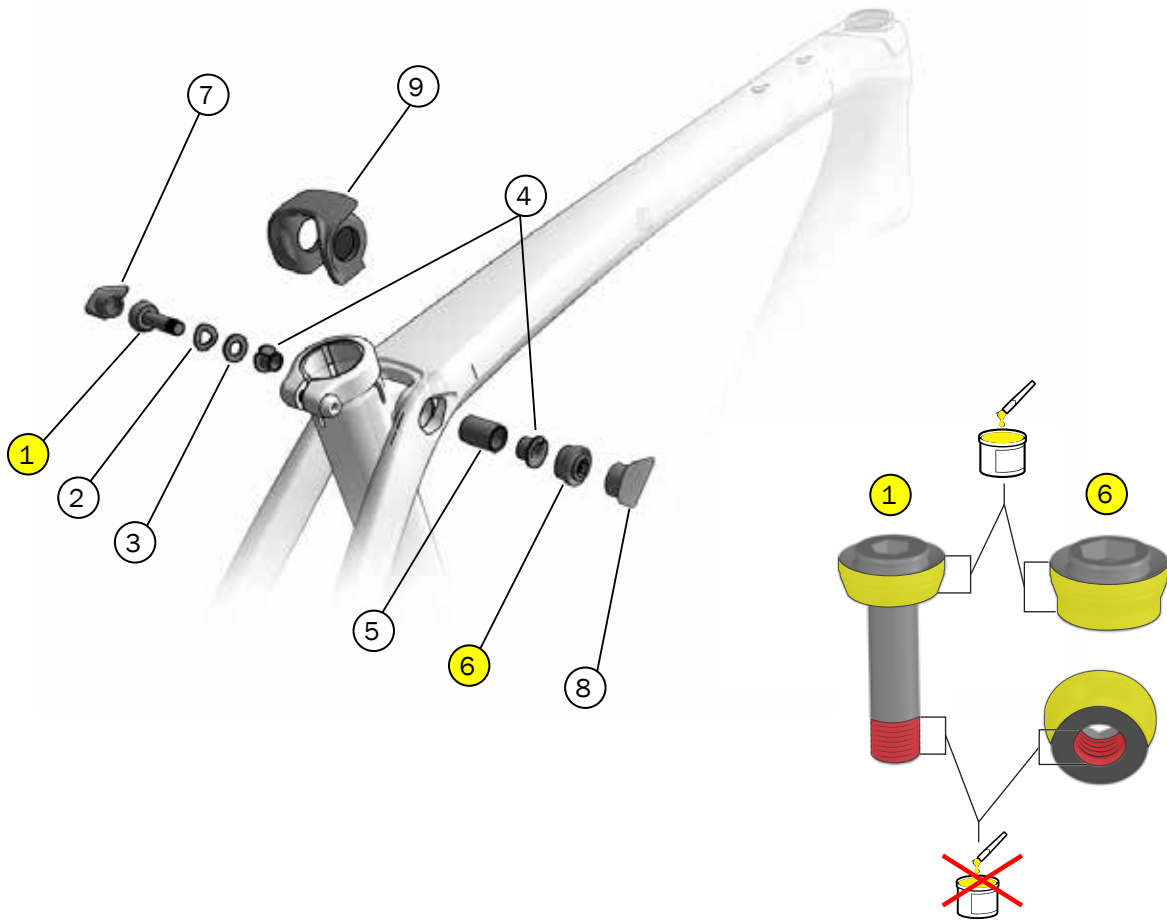
Headset and fork



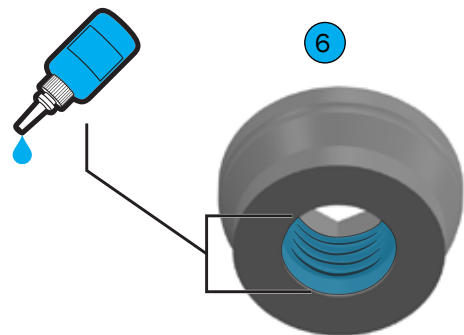
Mechanical routing example

- ① Spacer (5mm) – 5253930
- ② Frame routing cap grommet – W5253580
- ③ Frame routing cap – W5253579
- ④ Headset split ring – W5266050
- ⑤ Headset bearings – W540243
- ⑥ Front derailleur cable
- ⑦ Rear derailleur cable
- ⑧ Front brake hose
- ⑨ Rear brake hose

IsoSpeed

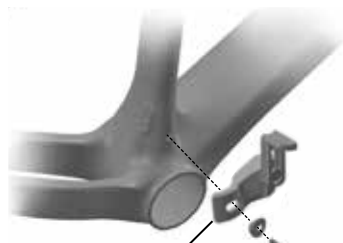


- ① Bolt
 - ② Wave washer
 - ③ Washer
 - ④ Flanged bushing
 - ⑤ Cylindrical bushing
 - ⑥ Nut
- } *kit W569265*
- ⑦ Cap, non-driveside (as shown) – 5253577
 - ⑧ Cap, driveside (as shown) – 5253576
 - ⑨ Grommet – W5253578



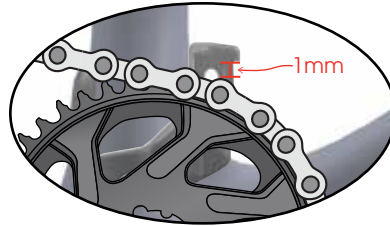
Chainkeeper

1x chainring

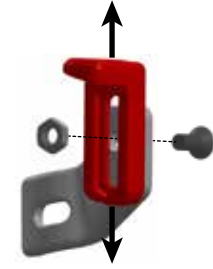


541421
(38-46T)

3Nm

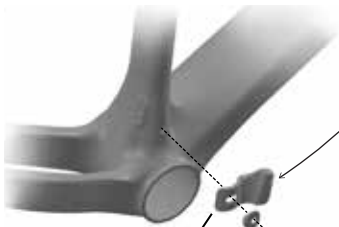


Clearance



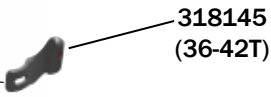
Adjust clearance

2x chainrings

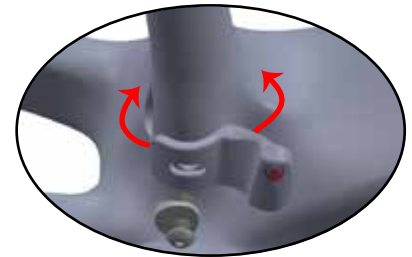


315465
(30-36T)

3Nm



Clearance



Adjust clearance

Specifications

		All models
Rear hub OLD		142mm
Seat post OD		30mm
Seat post clamp ID		30.15mm
Upper fork steerer tube OD		28.6mm
Lower fork steerer tube OD		38.1mm
Bottom bracket type/width		T47/85.5mm
Brake rotor diameter		140/160mm
Chainline (1x)		49.7mm
Chainline (2x)		43.5mm
Chainring max (1x)		42t
Chainring max (2x)	Small	34t
	Large	50t
Tire width max 700c		38mm (1.5")
Fender mount – rear		No
Fender mount – front		No
Rack mount		No
Dropper post compatibility		No