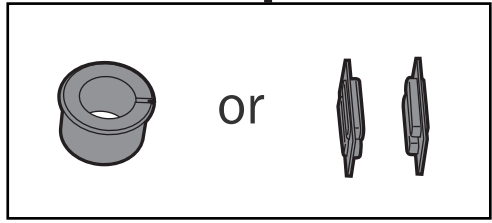
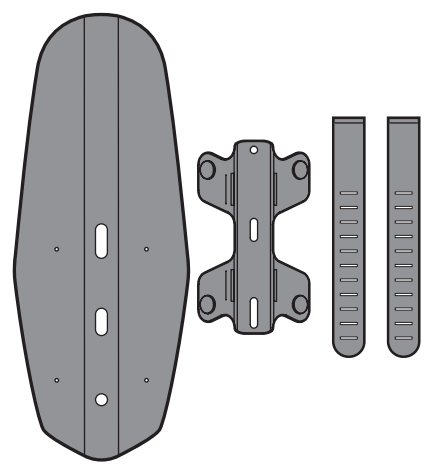
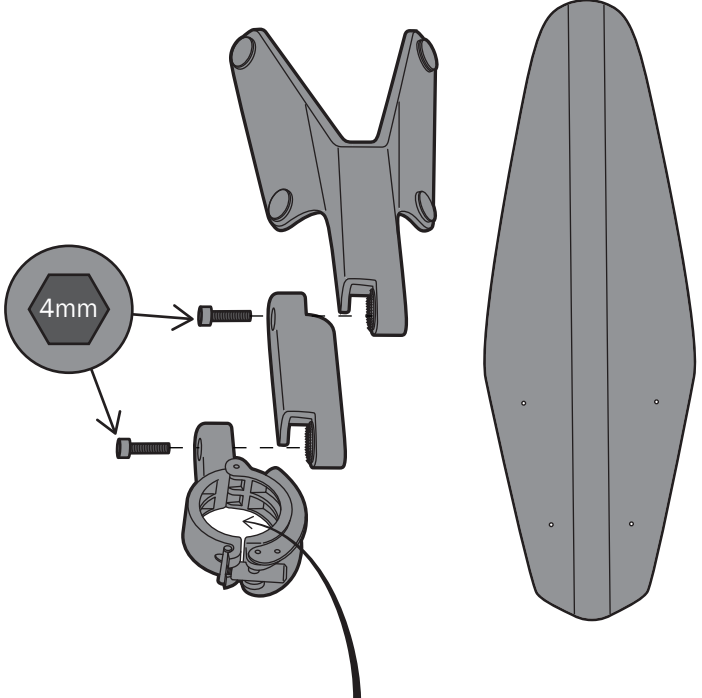
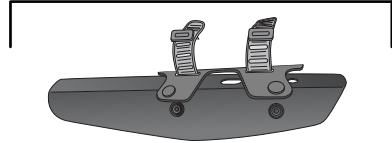
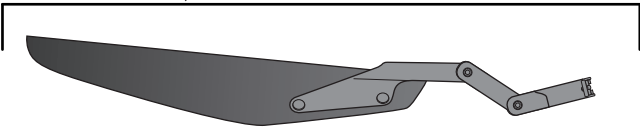
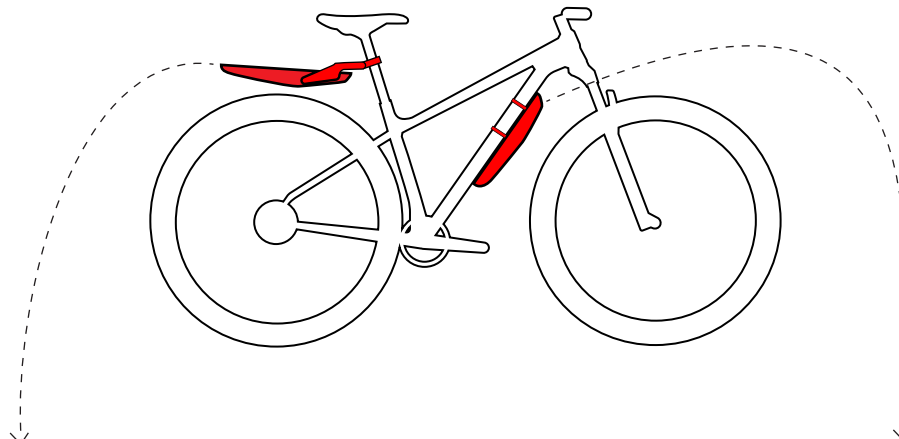
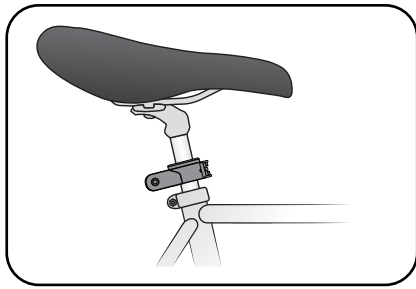


BONTRAGER

Universal Fender
Assembly Instructions

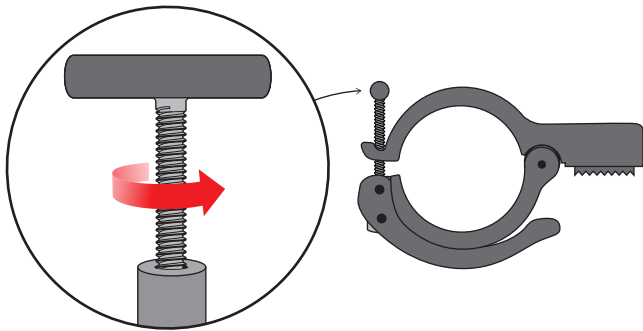
ENGLISH



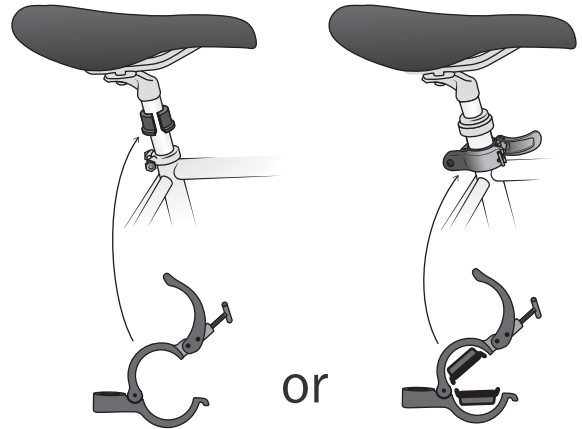


1

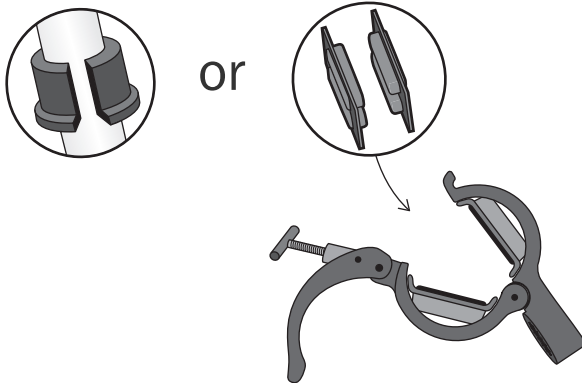
3



2



or



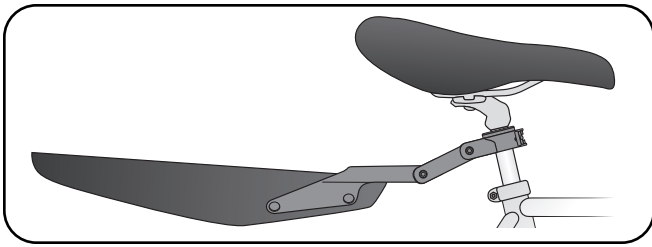
or

4

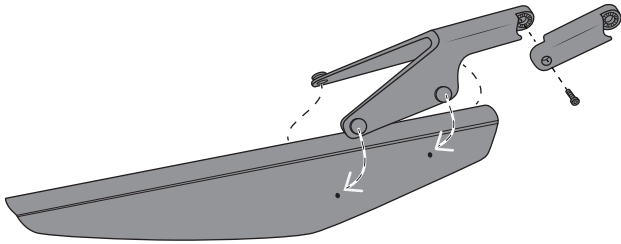


NOTICE: Do not close the clamp if it feels too tight.

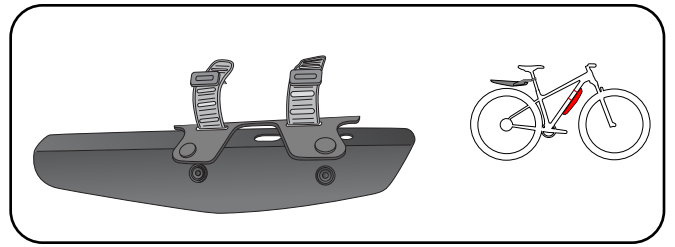
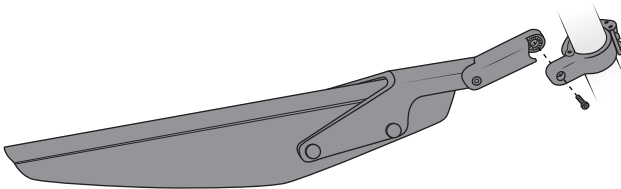
The clamp should be snug. If it's able to move around freely, tighten the hinge pin 3-4 revolutions and close the clamp. Repeat if necessary.



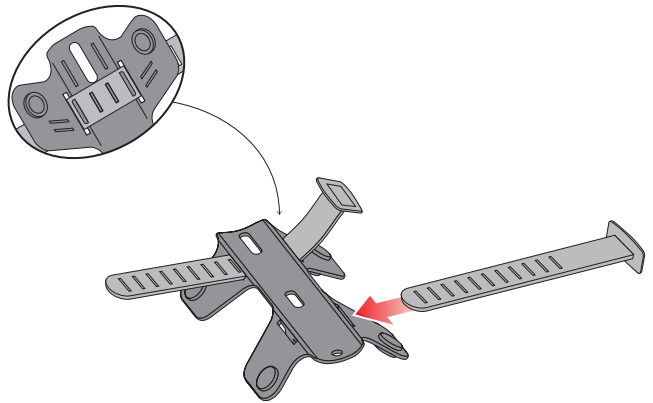
1



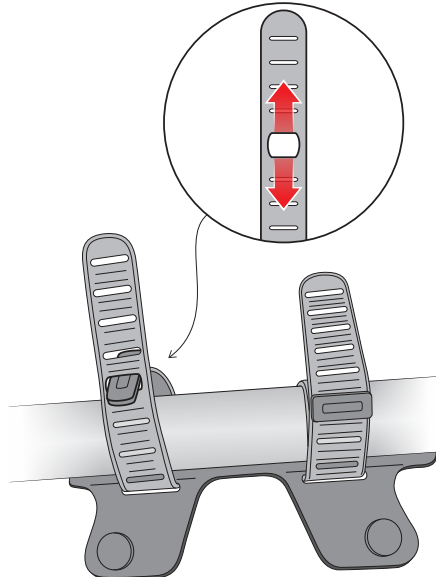
2



1



2



3

