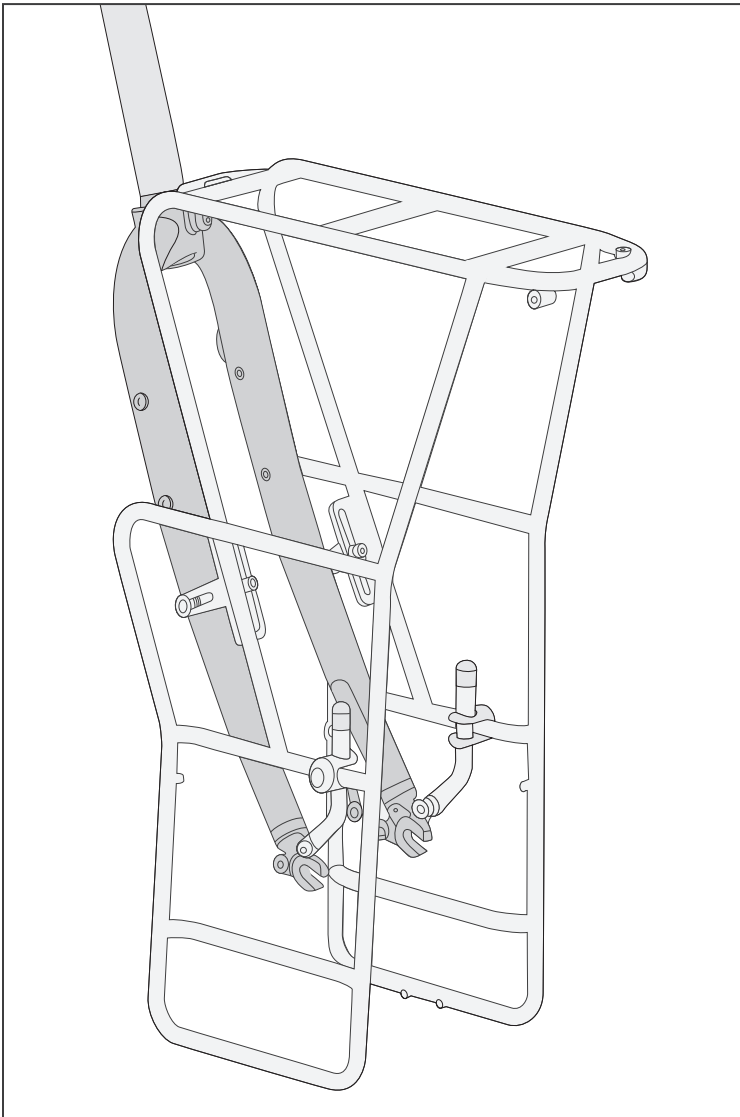


520 Front Rack

bontrager.com

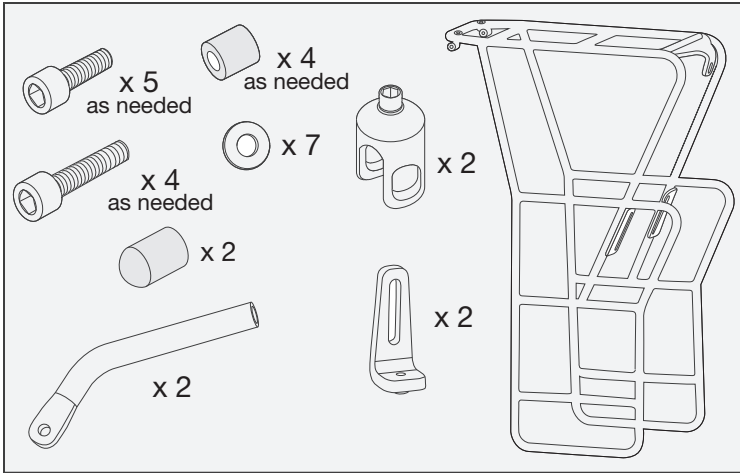
Full Assembly



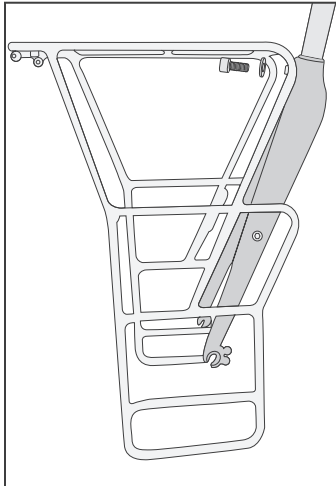
Bontrager and Bontrager B-dot are registered trademarks of Trek Bicycle Corporation.
©2017 Trek Bicycle Corporation, Waterloo, WI 53594, USA. All rights reserved.

PN 570223

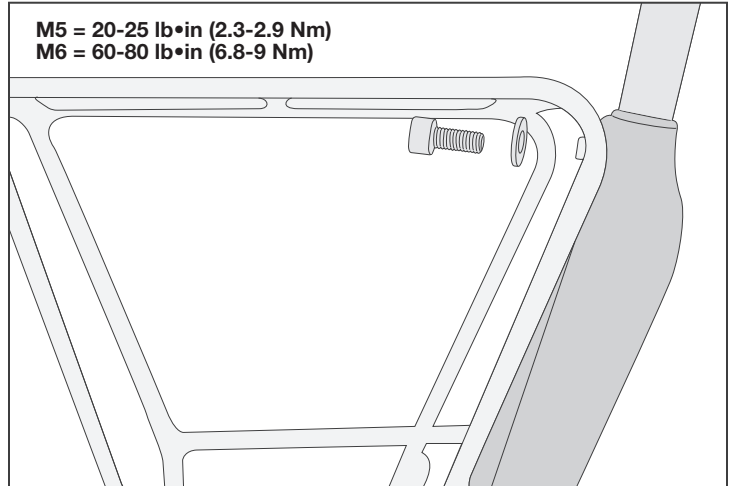
Parts, Pièces, Piezas, Bauteile



1

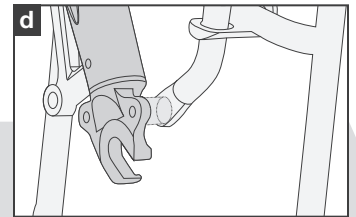
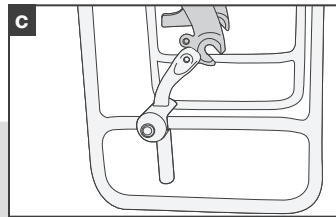
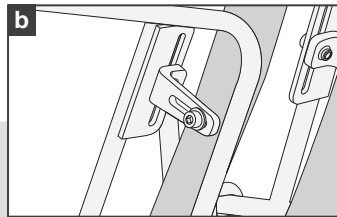
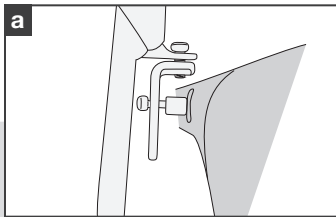


Attach rack to the fork crown using a 5mm (provided) or 6mm (optional) screw.



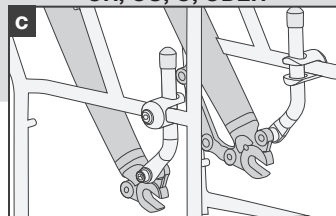
M5 = 20-25 lb•in (2.3-2.9 Nm)
M6 = 60-80 lb•in (6.8-9 Nm)

2



Spacers may or may not be required depending on fork configuration. Loosely insert screws and tighten once fully assembled.

OR, OU, O, ODER



Depending on your fork a spacer may be needed. See example above.